



Product Name	Dimensions (mm)	Power (W)*	Luminous Flux (lm)*	Energy Efficiency *	Weight (kg)
FL-BACK-G2-6060-21W	595x595x37	21	3423 (@4000K)	163lm/W	1.6
FL-BACK-G2-6060-25W	595x595x37	25	4000 (@4000K)	160lm/W	1.6
FL-BACK-G2-6060-30W	595x595x37	30	4680 (@4000K)	156lm/W	1.6
FL-BACK-G2-6060-40W	595x595x37	40	6080 (@4000K)	152lm/W	1.6
FL-BACK-G2-12030-21W	1195x295x37	21	3423 (@4000K)	163lm/W	1.75
FL-BACK-G2-12030-25W	1195x295x37	25	4000 (@4000K)	160lm/W	1.75
FL-BACK-G2-12030-30W	1195x295x37	30	4680 (@4000K)	156lm/W	1.75
FL-BACK-G2-12030-40W	1195x295x37	40	6080 (@4000K)	152lm/W	1.75

\*(+/- 10 %)

Weight is informed for panels only, Value is Net weight without drivers.

### General

Product family:	FL-BACK-G2 Backlit LED Panel
Electrical number:	
Customer code:	

### Technical Data

Max ambient temp (°C):	45
Min ambient temp (°C):	-30
IP-rating:	40 / 44 (interface)
IK-rating:	02
Product warranty:	5-7

### Electrical Data

Minimum Input Voltage -10% (VAC):	220
Maximum Input voltage +10% (VAC):	240
Minimum Frequency -5% (Hz):	50
Maximum Frequency +5% (Hz):	60
PF:	>0.9

### Ballast/Driver

Type of Ballast/Driver:	Constant Current
Number of Ballast/Driver:	1
Control Type:	On-Off & DALI 2 / Push Dimmable/Casambi
Manufacturer:	Lifud / Tridonic / Helvar
Driver IP-Rating:	20

### Light Data

Light Source:	LED
Chip Manufacturer:	
SDCM (McAdams):	<3
CRI:	>80
CCT:	3000 K / 4000 K / 5000 / 5700 K

### Optic

Output Angle (°):	90°
UGR:	<19

**Rated System Lifetime**

LM80/TM-21:	L80B50
Lifetime 1:	110 000 hours
Lifetime 2:	

**Materials**

Housing Colour Code:	RAL 9016
Housing Main Material 1:	Back plate: Steel, Frame: Aluminium
Bracket Material:	
Diffuser Material:	PS (Anti-glare microprism)

**Termination**

Type of cable gland:	
Number of cable glands:	
Minimum cable diameter:	3mm
Maximum cable diameter:	10mm
Termination:	push-in-terminal
Type of blind-plug:	
Number of blind plugs:	

**Installation**

Mounting:	Recessed/Suspended/Partially recessed
Safety wire:	
Bracket type:	
Through wiring:	Optional, ask from customer service

**Certificates**

Product certificates:	- CE - RoHS
-----------------------	----------------

**Order Code**

Product Family	Series	Size	Power	CRI + CCT	Optic	Driver	Control	Termination		
FL-BACK	G2	6060	21W	830 (<80/3000K)	MPRZ	LI (Lifud)	DA (DALI)	LOOP (*2)		
		12030	25W	840 (<80/4000K)		TR (Tridonic)	CA (CASAMBI)			
			30W	850 (<80/5000K)		HE (Helvar)	MA (MATTER)			
			40W	857 (<80/5700K)			ON/OFF (*1)			

Example Code:

FL-BACK-G2-6060-25W-840-MPRZ-LI-DA-LOOP

(\*1) If chosen, not marked to the product code / jos valitaan, ei merkitä tuotekoodille

(\*2) Loop-through / ketjutettava

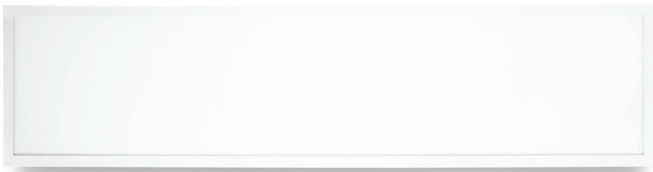
## Product Images



FL-BACK-G2-6060



FL-BACK-G2-6060



FL-BACK-G2-12030

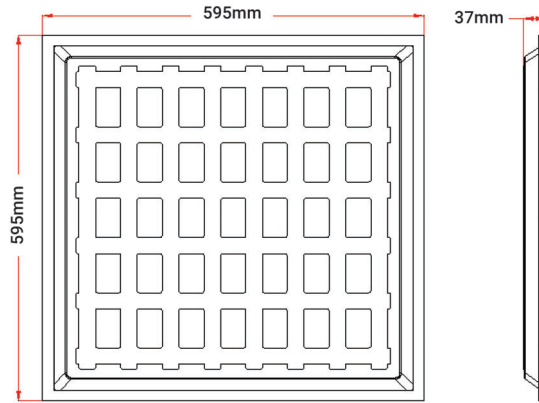


FL-BACK-G2-12030

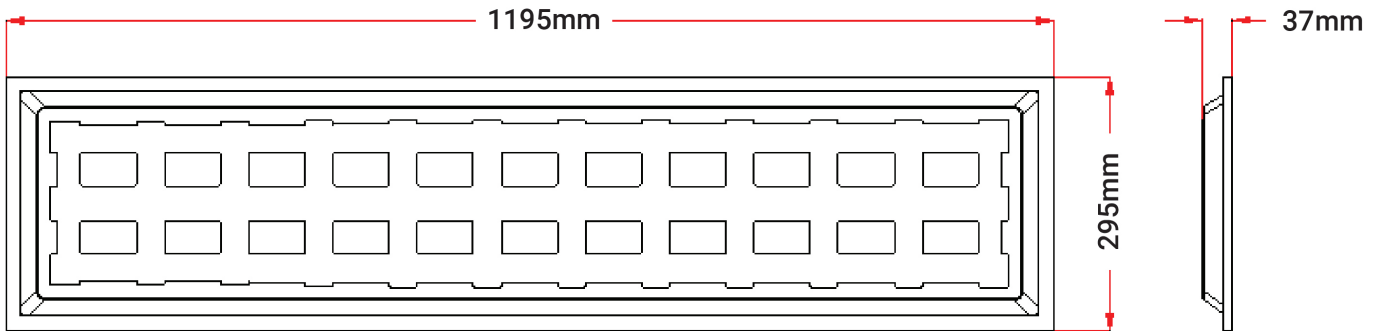


Loop-through box for LIFUD driver

## Dimensional Drawings



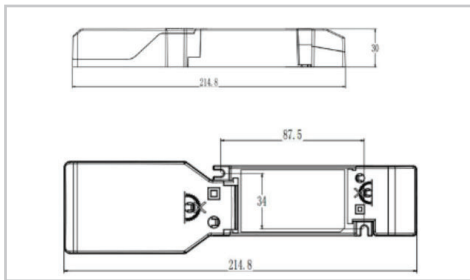
FL-BACK-G2-6060



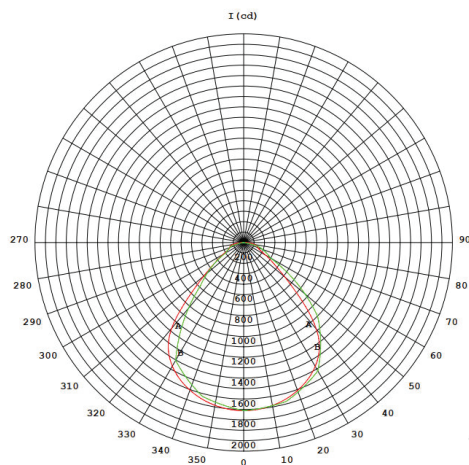
FL-BACK-G2-12030

## Loop-through wiring junction box data

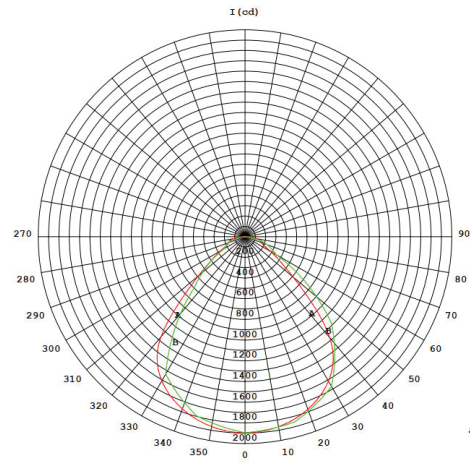
Mounting hole spacing, length	87,5 mm
Product weight	130 g
VAC wire cross-section	0.75 - 1,5 mm <sup>2</sup>
VDC wire cross-section	0,5 - 1,5 mm <sup>2</sup>
VAC cable outer diameter	3 - 10 mm
VDC cable outer diameter	3 - 8 mm
Wire preparation length	7 - 8 mm



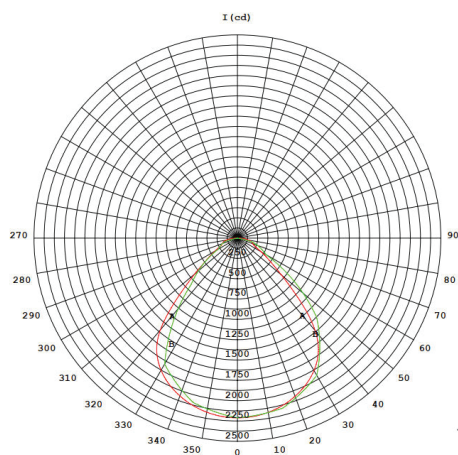
## Light Distribution Curves



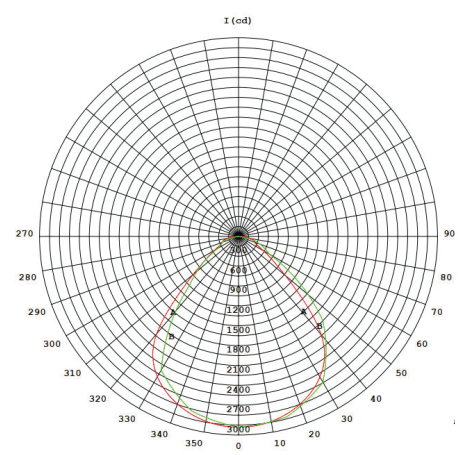
FL-BACK-G2-6060 21W



FL-BACK-G2-6060 25W



FL-BACK-G2-6060 30W



FL-BACK-G2-6060 40W